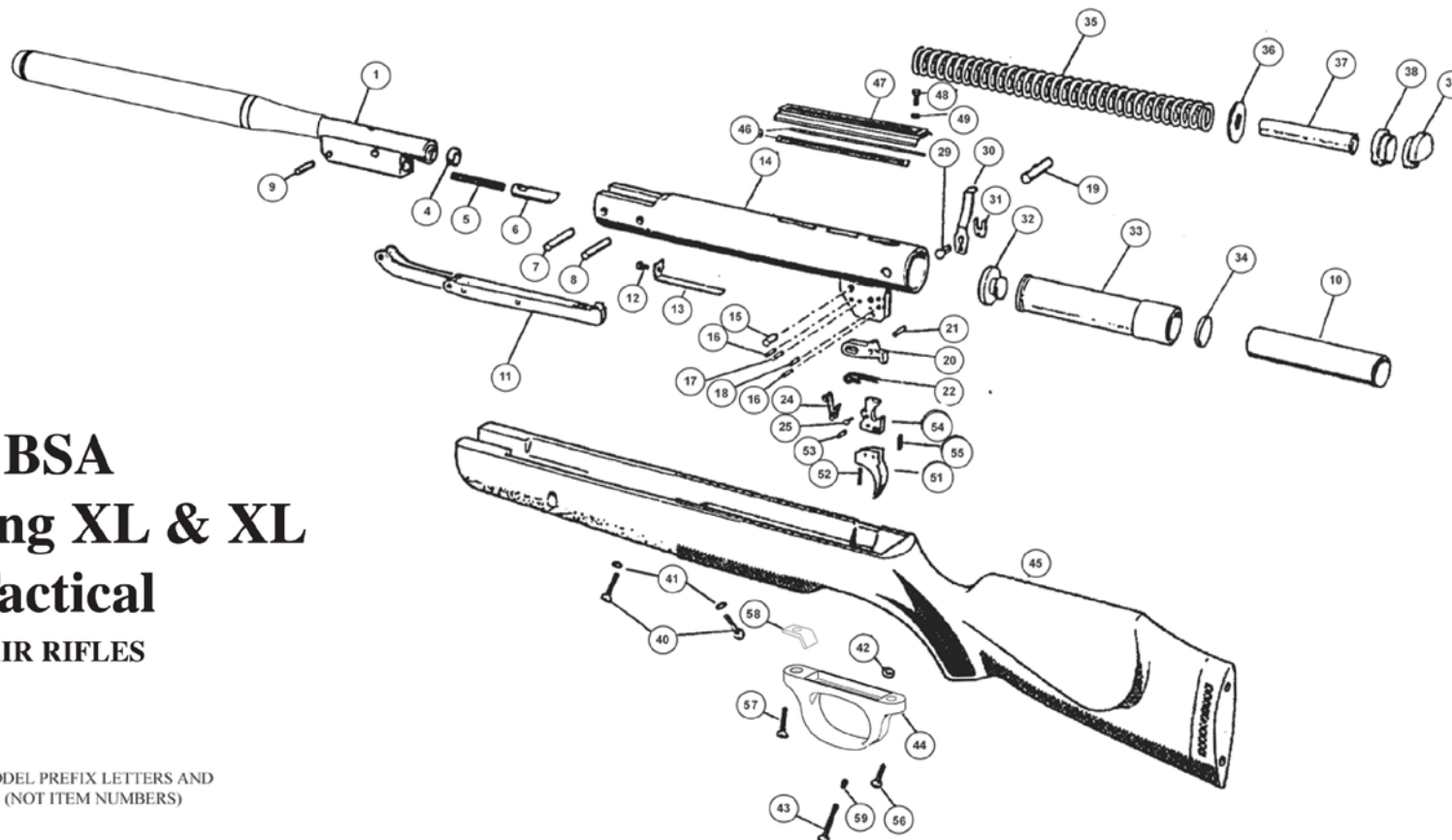


BSA Lightning XL & XL Tactical AIR RIFLES



PLEASE QUOTE MODEL PREFIX LETTERS AND
PART NUMBER (NOT ITEM NUMBERS)

ITEM	DESCRIPTION	PART No.
1	Barrel .177	16-5161
	Barrel .22	16-5162
4	Barrel Sealing Washer	16-1050
5	Barrel Latch Spring	16-1034
6	Barrel Latch	16-1012
7	Barrel Axis Pin	16-2366
8	Barrel Stop Pin	16-3366
9	Cocking Link Axis Pin	16-5228
10	Piston Sleeve	16-4926
11	Cocking Slide	16-4846
12	Screw Fixing Slipper Plate	16-3164
13	Slipper Plate	16-4851
14	Cylinder	16-4896
15	Sear Axis Pin	16-1021
16	Sear Spring & Trigger Pin	16-1022
17	Trigger Spring Pin	16-4853
18	Trigger Stop Pin	16-4854

ITEM	DESCRIPTION	PART No.
19	Mainspring Retaining Pin	16-4855
20	Sear	16-6703
21	Sear Spring Support Pin	16-4856
22	Sear Spring	16-4857
24	Trigger Spring	16-4859
25	Trigger Strut Safety Pin	16-4860
26	Trigger Adjusting Screw Plug	16-4861
27	Trigger Grip	16-4862
28	Trigger Adjusting Screw	16-4863
29	Safety Catch Axis Pin	16-4864
30	Safety Catch Lever	16-4865
31	Retaining Clip	16-4866
32	Piston Seal	16-4867
33	Piston	16-4890
34	Piston Weight (as required)	16-4869
35	Mainspring	16-0672
36	Mainspring Seating Washer	16-6708

ITEM	DESCRIPTION	PART No.
37	Mainspring Guide	16-6706
38	End Cap Locating Plug	16-4872
39	Cylinder End Cap	16-3560
40	Fore-end Screw (2)	16-3038
41	Nylon Bush (2)	16-5130
42	Rear Screw Washer	16-5167
43	Stock Rear Screw	16-1031
44	Trigger Guard	16-6568
45	Stock	16-5160 *
46	Scope Mounting Strip (2)	16-4691
47	Scope Rail	16-4889
48	Rail Stop Screw	16-4893
49	Scope Stop	16-4904
51	Trigger Grip	16-6702
52	Trigger Adjusting Screw	16-4863
53	Trigger Adjusting Screw Plug	16-4861
54	Trigger Strut	16-6701

ITEM	DESCRIPTION	PART No.
55	Trigger Spring 1st Pressure	16-4888
56	Trigger Guard Fixing Screw	16-6593
57	Trigger Guard Fixing Bolt	16-5166
58	Recoil Insert	16-6453
59	Lock Screw	16-5164
*		
A) Stock XL Standard 16 - 5160 / Wood		
B) Stock XL Tactical 16 - 5184 / Composite		

