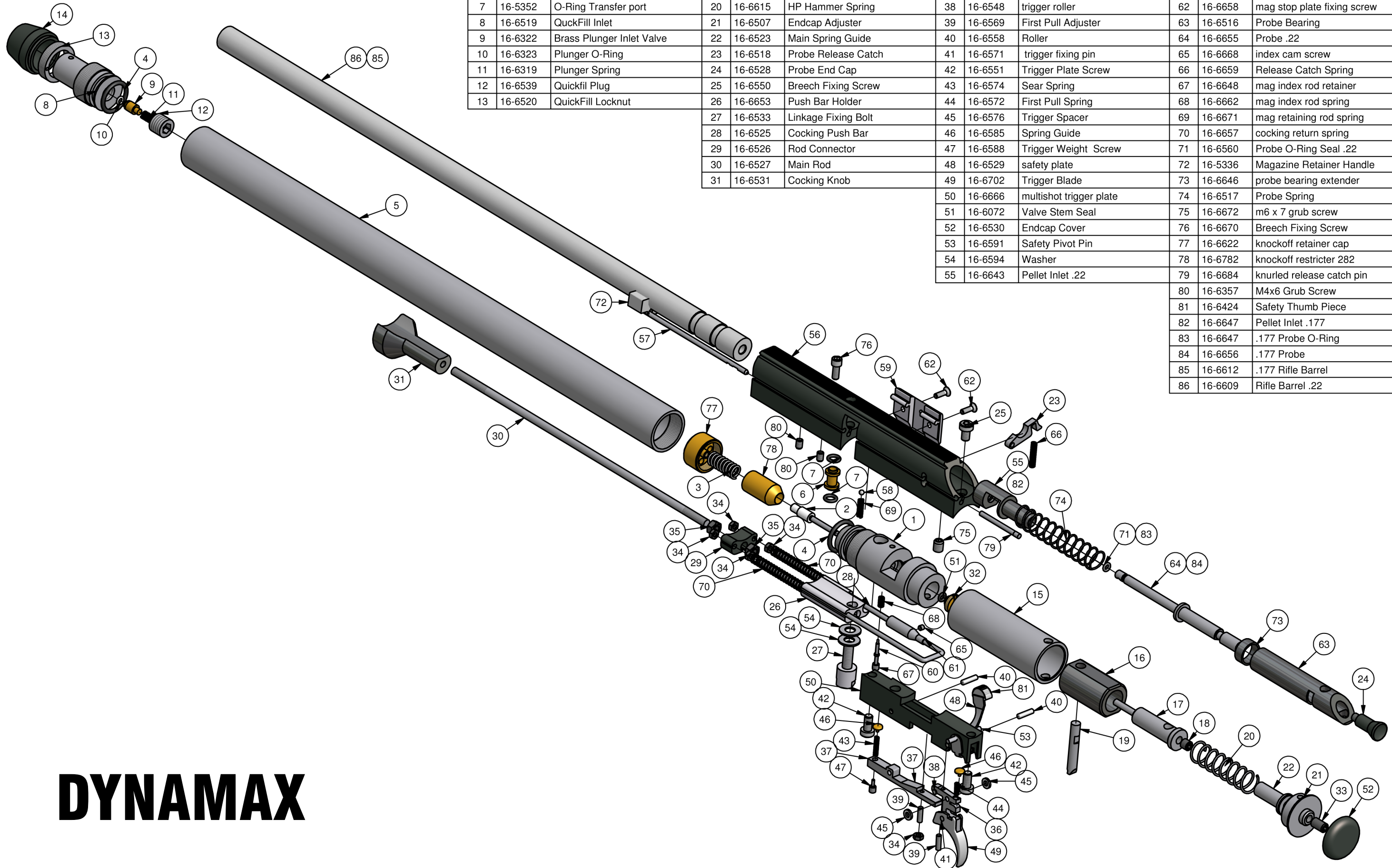


PART	TITLE	PART	TITLE	PART	TITLE	PART	TITLE	
1	16-6644	Valve Seating	14	16-6505	Knurled End Cap	32	16-6522	Valve Seating Bush
2	16-6159	Knockoff Valve	15	16-6501	Main Spring Tube	33	16-6554	Adjuster Screw
3	16-6092	Valve Stem Spring	16	16-6511	Hammer Bearing	34	16-6555	M3 Nut
4	16-6537	O-Ring	17	16-6650	Hammer Weight	35	16-6556	M5 Nut
5	16-6500	main reservoir tube rifle	18	16-6542	Hammer Grub Screw	36	16-6509	Trigger
6	16-6651	Transfer Port	19	16-6512	Hammer Latch Pin	37	16-6508	Sear
7	16-5352	O-Ring Transfer port	20	16-6615	HP Hammer Spring	38	16-6548	trigger roller
8	16-6519	QuickFill Inlet	21	16-6507	Endcap Adjuster	39	16-6569	First Pull Adjuster
9	16-6322	Brass Plunger Inlet Valve	22	16-6523	Main Spring Guide	40	16-6558	Roller
10	16-6323	Plunger O-Ring	23	16-6518	Probe Release Catch	41	16-6571	trigger fixing pin
11	16-6319	Plunger Spring	24	16-6528	Probe End Cap	42	16-6551	Trigger Plate Screw
12	16-6539	Quickfil Plug	25	16-6550	Breech Fixing Screw	43	16-6574	Sear Spring
13	16-6520	QuickFill Locknut	26	16-6653	Push Bar Holder	44	16-6572	First Pull Spring
			27	16-6533	Linkage Fixing Bolt	45	16-6576	Trigger Spacer
			28	16-6525	Cocking Push Bar	46	16-6585	Spring Guide
			29	16-6526	Rod Connector	47	16-6588	Trigger Weight Screw
			30	16-6527	Main Rod	48	16-6529	safety plate
			31	16-6531	Cocking Knob	49	16-6702	Trigger Blade
					50	16-6666	multishot trigger plate	
					51	16-6072	Valve Stem Seal	
					52	16-6530	Endcap Cover	
					53	16-6591	Safety Pivot Pin	
					54	16-6594	Washer	
					55	16-6643	Pellet Inlet .22	
						56	16-6629	multishot breech block
						57	16-6654	Magazine Retaining Rod
						58	16-5339	3mm ball
						59	16-6630	Mag Stop Plate
						60	16-6652	mag index rod
						61	16-6649	mag index cam
						62	16-6658	mag stop plate fixing screw
						63	16-6516	Probe Bearing
						64	16-6655	Probe .22
						65	16-6668	index cam screw
						66	16-6659	Release Catch Spring
						67	16-6648	mag index rod retainer
						68	16-6662	mag index rod spring
						69	16-6671	mag retaining rod spring
						70	16-6657	cocking return spring
						71	16-6560	Probe O-Ring Seal .22
						72	16-5336	Magazine Retainer Handle
						73	16-6646	probe bearing extender
						74	16-6517	Probe Spring
						75	16-6672	m6 x 7 grub screw
						76	16-6670	Breech Fixing Screw
						77	16-6622	knockoff retainer cap
						78	16-6782	knockoff restricter 282
						79	16-6684	knurled release catch pin
						80	16-6357	M4x6 Grub Screw
						81	16-6424	Safety Thumb Piece
						82	16-6647	Pellet Inlet .177
						83	16-6647	.177 Probe O-Ring
						84	16-6656	.177 Probe
						85	16-6612	.177 Rifle Barrel
						86	16-6609	Rifle Barrel .22



DYNAMAX